



Since 1976.

DEVON®

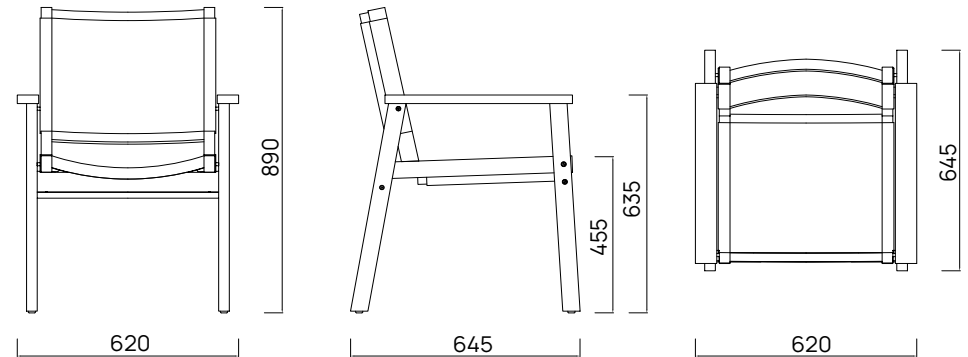
Waipuna Carver Dining Chair

Our Waipuna chair is classic and comfortable. The sprung weave cushions the seat and makes for a relaxing feel for outdoor dining and entertaining. Our Waipuna chair is a versatile match with any of our Devon tables. Designed to reflect Aotearoa's beauty and endure her elements.



FRAME
MATERIAL

A Grade Teak
Outdoor Weave



TEAK is a durable hardwood timber that's been used for boat building and furniture making for centuries, thanks to its strength and longevity. Teak will survive many years outdoors with little or no structural deterioration thanks to its highly water-resistant quality and natural oils. We carefully select A Grade Teak.

SOLUTION DYED ACRYLIC FABRIC is a durable, high-performance synthetic fabric made by adding coloured dye to the acrylic fibers. This makes it one of the most fade resistant fabrics, ideal for harsh UV rays. It's also mildew resistant, highly durable, and soft to touch.

REHAU OUTDOOR WEAVE is a premium synthetic weaving material which is UV resistant, weatherproof, temperature resistant, strong, durable, maintenance-free, easy to clean, non-toxic, environmentally friendly, colourfast and scratch-free.