



Since 1976.

DEVON®

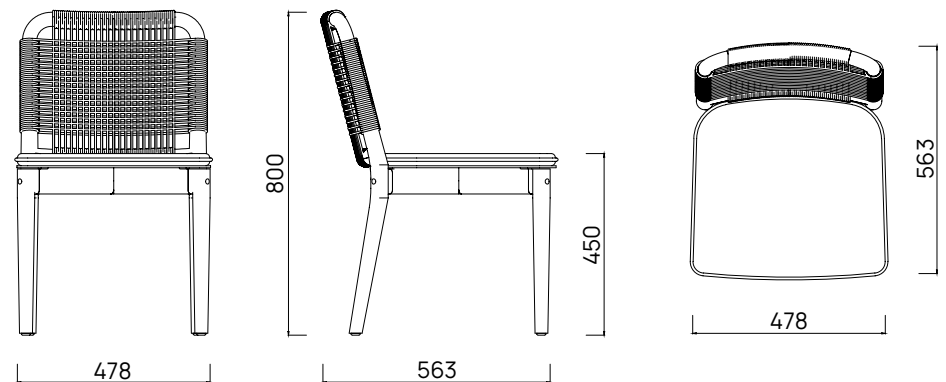
# Rere Side Dining Chair

The Rere Collection is outdoor elegance at its finest. With a smooth natural Teak frame and intricate handwoven marine rope, it's crafted for the outdoors but looks equally at home indoors. Designed to reflect Aotearoa's beauty and endure her elements.



FRAME  
MATERIAL  
COLOUR

A Grade Teak  
Solution Dyed Acrylic Fabric & Marine Rope  
Marble & Graphie / Contact Devon for custom options



TEAK is a durable hardwood timber that's been used for boat building and furniture making for centuries, thanks to its strength and longevity. Teak will survive many years outdoors with little or no structural deterioration thanks to its highly water-resistant quality and natural oils. We carefully select A Grade Teak.

SOLUTION DYED ACRYLIC FABRIC is a durable, high-performance synthetic fabric made by adding coloured dye to the acrylic fibers. This makes it one of the most fade resistant fabrics, ideal for harsh UV rays. It's also mildew resistant, highly durable, and soft to touch.

MARINE ROPE TRICORD is comprised of nautical and synthetic fibres. This blend of unbreakable polyester and soft natural fibres, makes it aesthetically pleasing and resistant to frost, water, fungi and UV-rays. All of our Tricord furniture is hand woven.