



Since 1976.

DEVON[®]

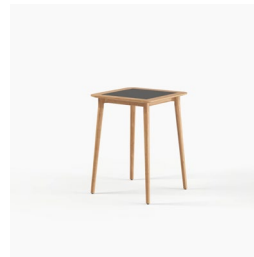
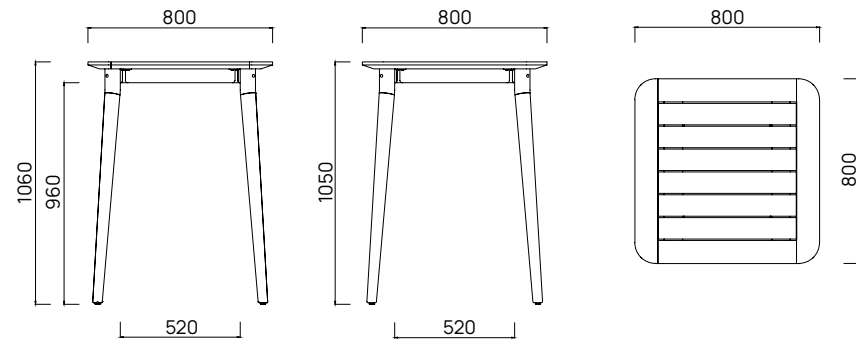
Rere Bar Leaner / 800

The Rere Collection is outdoor luxury at its finest. Crafted from fine sanded Teak, with an optional ceramic tabletop, the Bar Leaner is built for happy hours at home. Designed to reflect Aotearoa's beauty and endure her elements.



FRAME
TABLE TOP
COLOUR
SEATS

A Grade Teak
Solid Teak / Ceramic insert
Natural Teak / Nebula Nero
2 people



CERAMIC is an elegant yet hardworking stain, scratch and fade resistant material. The variations in marble look and texture add a touch of luxury to the outdoors.

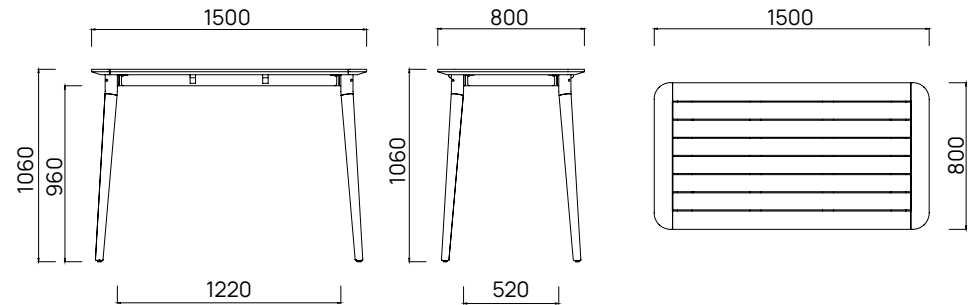
TEAK is a durable hardwood timber that's been used for boat building and furniture making for centuries, thanks to its strength and longevity. Teak will survive many years outdoors with little or no structural deterioration thanks to its highly water-resistant quality and natural oils. We carefully select A Grade Teak.

Rere Bar Leaner / 1500

The Rere Collection is outdoor luxury at its finest. Crafted from fine sanded Teak, with an optional ceramic tabletop, the Bar Leaner is built for happy hours at home. Designed to reflect Aotearoa's beauty and endure her elements.



FRAME	A Grade Teak
TABLE TOP	Solid Teak / Ceramic insert
COLOUR	Natural Teak / Nebula Nero
SEATS	4 people



TEAK is a durable hardwood timber that's been used for boat building and furniture making for centuries, thanks to its strength and longevity. Teak will survive many years outdoors with little or no structural deterioration thanks to its highly water-resistant quality and natural oils. We carefully select A Grade Teak.

CERAMIC is an elegant yet hardworking stain, scratch and fade resistant material. The variations in marble look and texture add a touch of luxury to the outdoors.