



Since 1976.

DEVON[®]

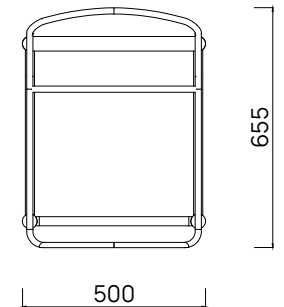
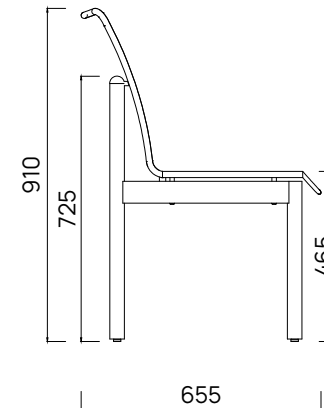
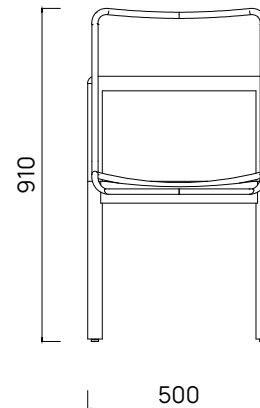
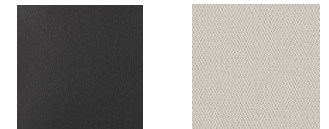
Opito Side Dining Chair

Crafted with smooth curves and an elegant woven seat, the Opito Dining Chairs are both comfortable and stylish. You'll stay seated long after the table has been cleared. Designed to reflect Aotearoa's beauty and endure her elements.



FRAME
MATERIAL
COLOUR

A Grade Teak
Outdoor Marine Rope
Marble & Graphie



TEAK is a durable hardwood timber that's been used for boat building and furniture making for centuries, thanks to its strength and longevity. Teak will survive many years outdoors with little or no structural deterioration thanks to its highly water-resistant quality and natural oils. We carefully select A Grade Teak.

MARINE ROPE TRICORD is comprised of nautical and synthetic fibres. This blend of unbreakable polyester and soft natural fibres, makes it aesthetically pleasing and resistant to frost, water, fungi and UV-rays. All of our Tricord furniture is hand woven.