



Since 1976.

DEVON®

KOPI / KAURI BAY NZ

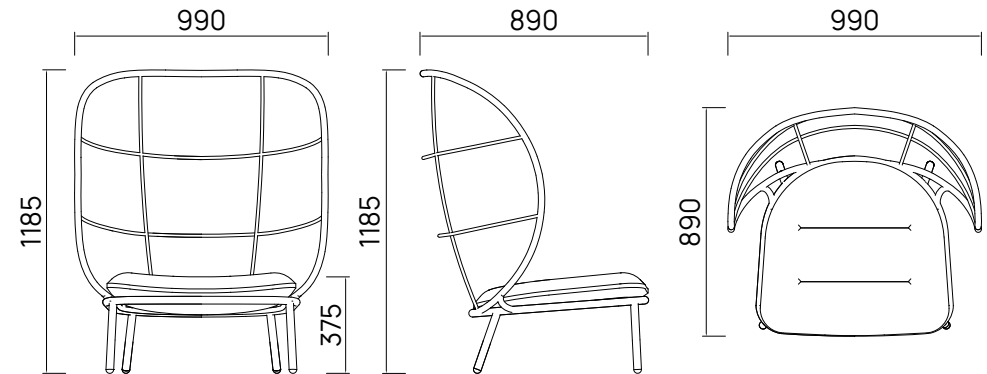
Kopi Cocoon Chair

The Kopi Cocoon chair invites you to curl up and relax. The curved aluminium frame and weaved marine rope are designed to give a feeling of seclusion. A wide cushioned seat makes for a luxurious outdoor experience. Designed to reflect Aotearoa's beauty and endure her elements.



FRAME
MATERIAL
COLOUR

Aluminium
Solution Dyed Acrylic Fabric & Marine Rope
Forest & Black / Graphite & Black / Marble & White



ALUMINIUM is a strong and durable metal. It is a popular material for outdoor furniture due to being resistant to corrosion, low maintenance, light-weight and easy to relocate.

SOLUTION DYED ACRYLIC FABRIC is a durable, high-performance synthetic fabric made by adding coloured dye to the acrylic fibers. This makes it one of the most fade resistant fabrics, ideal for harsh UV rays. It's also mildew resistant, highly durable, and soft to touch.

MARINE ROPE TRICORD is comprised of nautical and synthetic fibres. This blend of unbreakable polyester and soft natural fibres, makes it aesthetically pleasing and resistant to frost, water, fungi and UV-rays. All of our Tricord furniture is hand woven.