



Since 1976.

DEVON®

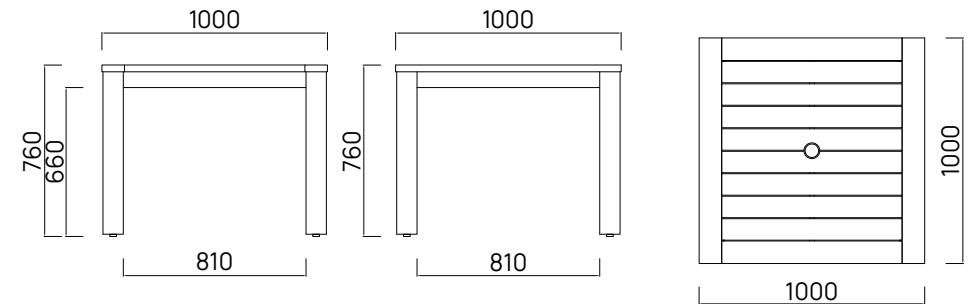
# Couper Dining Table / 1000

Our traditional Couper Table is the essence of timeless design, with clean lines for simplicity and a solid A grade teak finish. We've designed the Couper Table to fit any outdoor space, available in a range of sizes, all featuring a 50mm central umbrella hole. Designed to reflect Aotearoa's beauty and endure her elements.



FRAME  
SEATS

A Grade Teak  
6 people / More sizes available



TEAK is a durable hardwood timber that's been used for boat building and furniture making for centuries, thanks to its strength and longevity. Teak will survive many years outdoors with little or no structural deterioration thanks to its highly water-resistant quality and natural oils. We carefully select A Grade Teak.

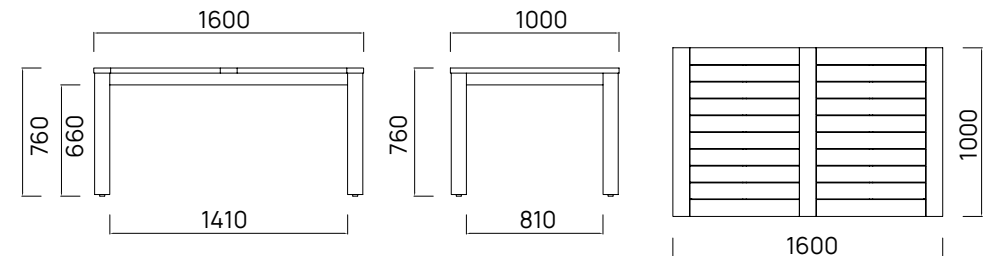
# Couper Dining Table / 1600

Our traditional Couper Table is the essence of timeless design, with clean lines for simplicity and a solid A grade teak finish. We've designed the Couper Table to fit any outdoor space, available in a range of sizes, all featuring a 50mm central umbrella hole. Designed to reflect Aotearoa's beauty and endure her elements.



FRAME  
SEATS

A Grade Teak  
6 people / More sizes available



TEAK is a durable hardwood timber that's been used for boat building and furniture making for centuries, thanks to its strength and longevity. Teak will survive many years outdoors with little or no structural deterioration thanks to its highly water-resistant quality and natural oils. We carefully select A Grade Teak.



Since 1976.

DEVON<sup>®</sup>

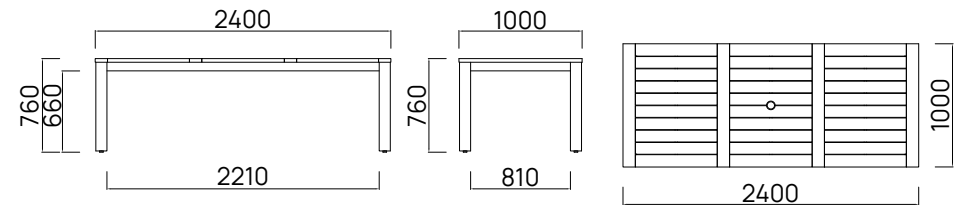
# Couper Dining Table / 2400

Our traditional Couper Table is the essence of timeless design, with clean lines for simplicity and a solid A grade teak finish. We've designed the Couper Table to fit any outdoor space, available in a range of sizes, all featuring a 50mm central umbrella hole. Designed to reflect Aotearoa's beauty and endure her elements.



FRAME  
SEATS

A Grade Teak  
8 people / More sizes available



TEAK is a durable hardwood timber that's been used for boat building and furniture making for centuries, thanks to its strength and longevity. Teak will survive many years outdoors with little or no structural deterioration thanks to its highly water-resistant quality and natural oils. We carefully select A Grade Teak.