



Since 1976.

DEVON®

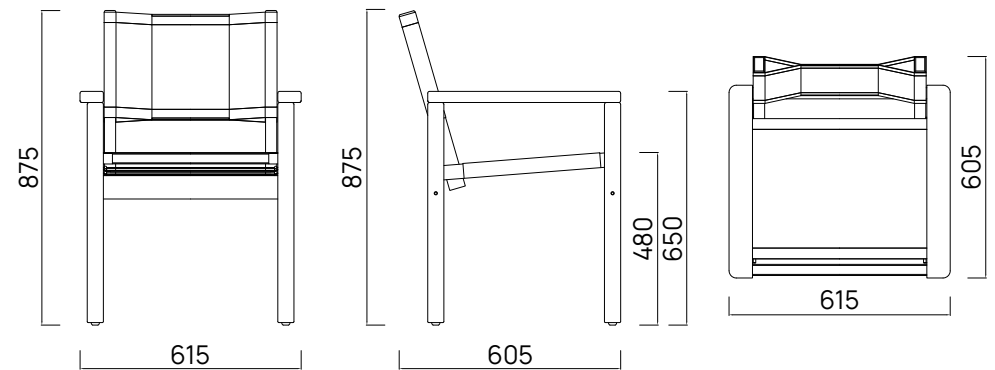
Blake Carver Dining Chair

Bring classic comfort to your outdoor space with our Blake Chairs. Good design never ages, which is true for the Blake which has been loved for decades, due to its solid teak frame and comfortable fabric sling seat. Designed to reflect Aotearoa's beauty and endure her elements.



FRAME
MATERIAL
COLOUR

A Grade Teak
Solution Dyed Acrylic Fabric
Black / Latte / Steel



TEAK is a durable hardwood timber that's been used for boat building and furniture making for centuries, thanks to its strength and longevity. Teak will survive many years outdoors with little or no structural deterioration thanks to its highly water-resistant quality and natural oils. We carefully select A Grade Teak.

SOLUTION DYED ACRYLIC FABRIC is a durable, high-performance synthetic fabric made by adding coloured dye to the acrylic fibers. This makes it one of the most fade resistant fabrics, ideal for harsh UV rays. It's also mildew resistant, highly durable, and soft to touch.

