



Since 1976.

DEVON[®]

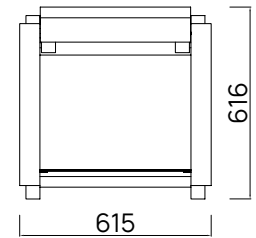
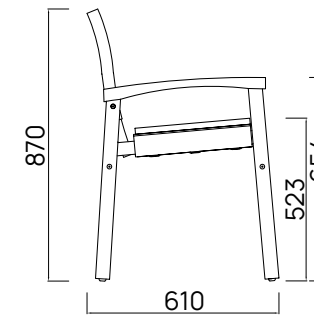
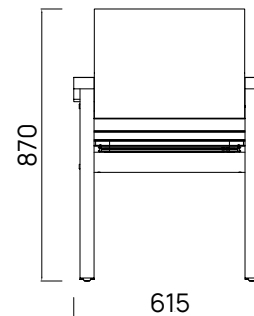
Barker Carver Dining Chair

Our most popular dining chair, the Barker Chair is simple yet stylish. With a generously cushioned seat and rounded armrests, this chair embodies the very essence of comfort, ideal for creating an inviting outdoor dining space. Designed to reflect Aotearoa's beauty and endure her elements.



FRAME
MATERIAL
COLOUR

A Grade Teak
Solution Dyed Acrylic Fabric
Black / Latte / Steel



TEAK is a durable hardwood timber that's been used for boat building and furniture making for centuries, thanks to its strength and longevity. Teak will survive many years outdoors with little or no structural deterioration thanks to its highly water-resistant quality and natural oils. We carefully select A Grade Teak.

SOLUTION DYED ACRYLIC FABRIC is a durable, high-performance synthetic fabric made by adding coloured dye to the acrylic fibers. This makes it one of the most fade resistant fabrics, ideal for harsh UV rays. It's also mildew resistant, highly durable, and soft to touch.

